



## HEAT CYCLE TEST EQUIPMENT FOR HIGH VOLTAGE AND POWER CABLES

Our LV Heat Cycle Test Systems are designed and built for type testing cables according to IEC 60840, IEC 62067 and IEC 62985.

These systems raise and control the temperature of a conductor to simulate the current loading conditions in an electrical circuit. We offer Heat Cycle Test Systems with voltage regulator, mobile high current split core transformers, capacitive compensation, temperature set controls and PLC control system.

### FEATURES

- Split core CT design for easy loading of cable
- Mobile CT carts with castors
- Temperature set controls
- Integrated chart recorder
- Capacitive compensation (optional)
- Main power breaker (optional)

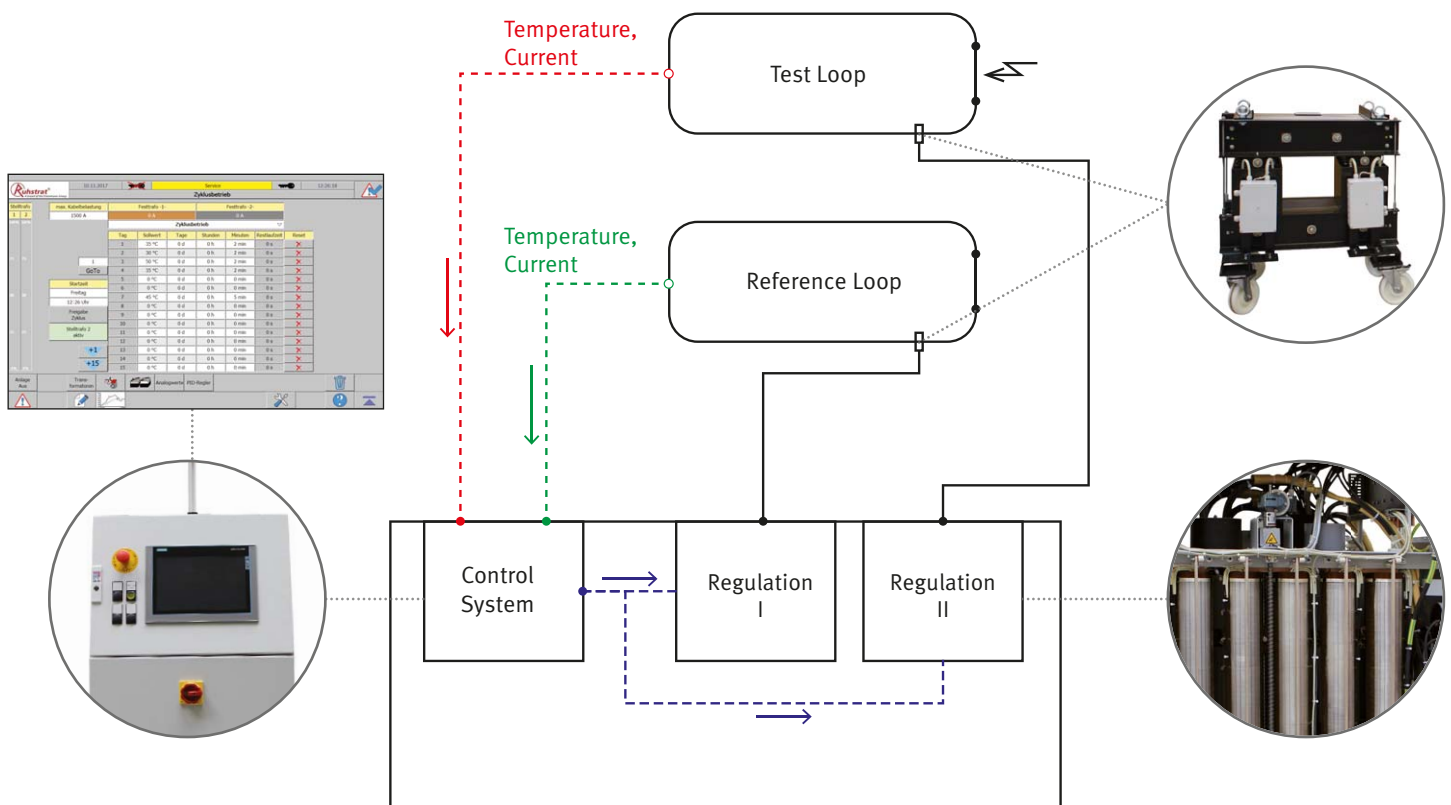


Figure: Typical test setup for reference and main test circuit



## HEAT CYCLE TEST EQUIPMENT FOR HIGH VOLTAGE AND POWER CABLES

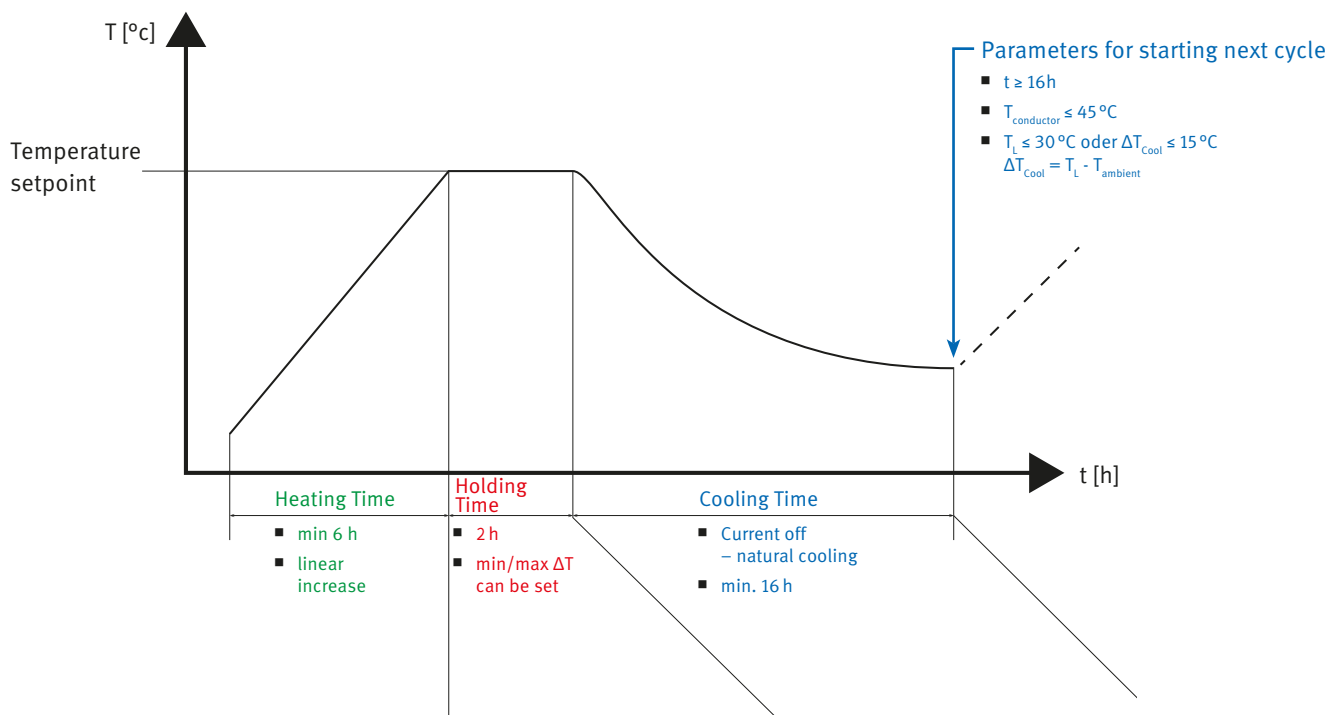


Figure: Load cycling according to DIN IEC 62067

All parameters (times, temperatures) can be set individually.

[www.ruhstrat.com](http://www.ruhstrat.com)

RPT Ruhstrat Power Technology GmbH · Heinestraße 12 · 37120 Bovenden · Deutschland · Tel.: +49 55 93 9 37 22-0 · E-Mail: [info@ruhstrat.com](mailto:info@ruhstrat.com)

2019 © RPT Ruhstrat Power Technology GmbH | 07-2019 | 01

All rights reserved. All texts, photos and images are subject to copyright and other laws for the protection of intellectual property. Use of the content requires the prior permission of RPT Ruhstrat Power Technology GmbH. All information, descriptions and illustrations are subject to technical modification, especially with a view toward the further development of our products in accordance with the current state of the art. There will be no special announcement of changes to information, descriptions and illustrations. Errors excepted. Technical characteristics can vary from country to country.